

792.0mm(32.2")
UNDERMOUNT

R5.0mm(0.2")
UNDERMOUNT

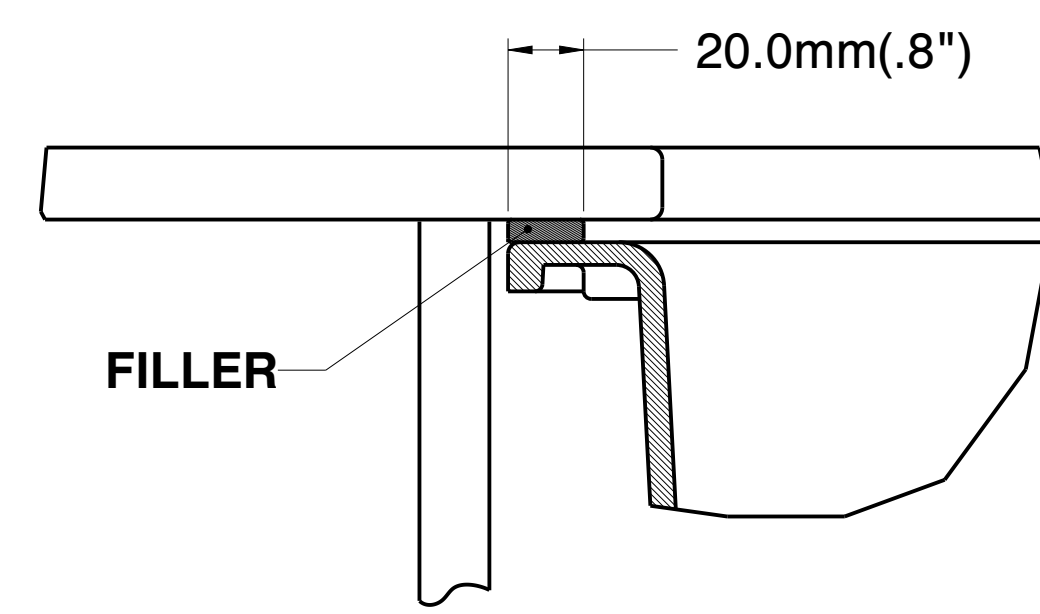
BOCCHI

www.bocchiusa.com

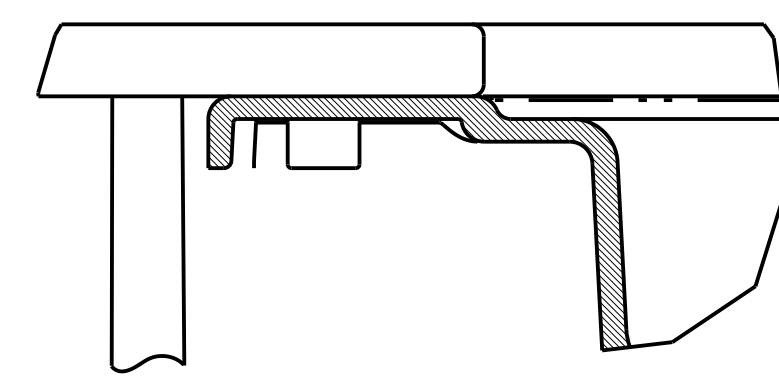
Model No. 1618

Customer Service: 877-565-2221

NOTE: Cutout template is provided as a guide **ONLY** and must be checked against actual sink to verify correct fit.



LEFT and RIGHT SIDE VIEW



FRONT and BACK VIEW

Undermount
Sink to be flush to counter cutout.

416.0mm(16.4")
UNDERMOUNT